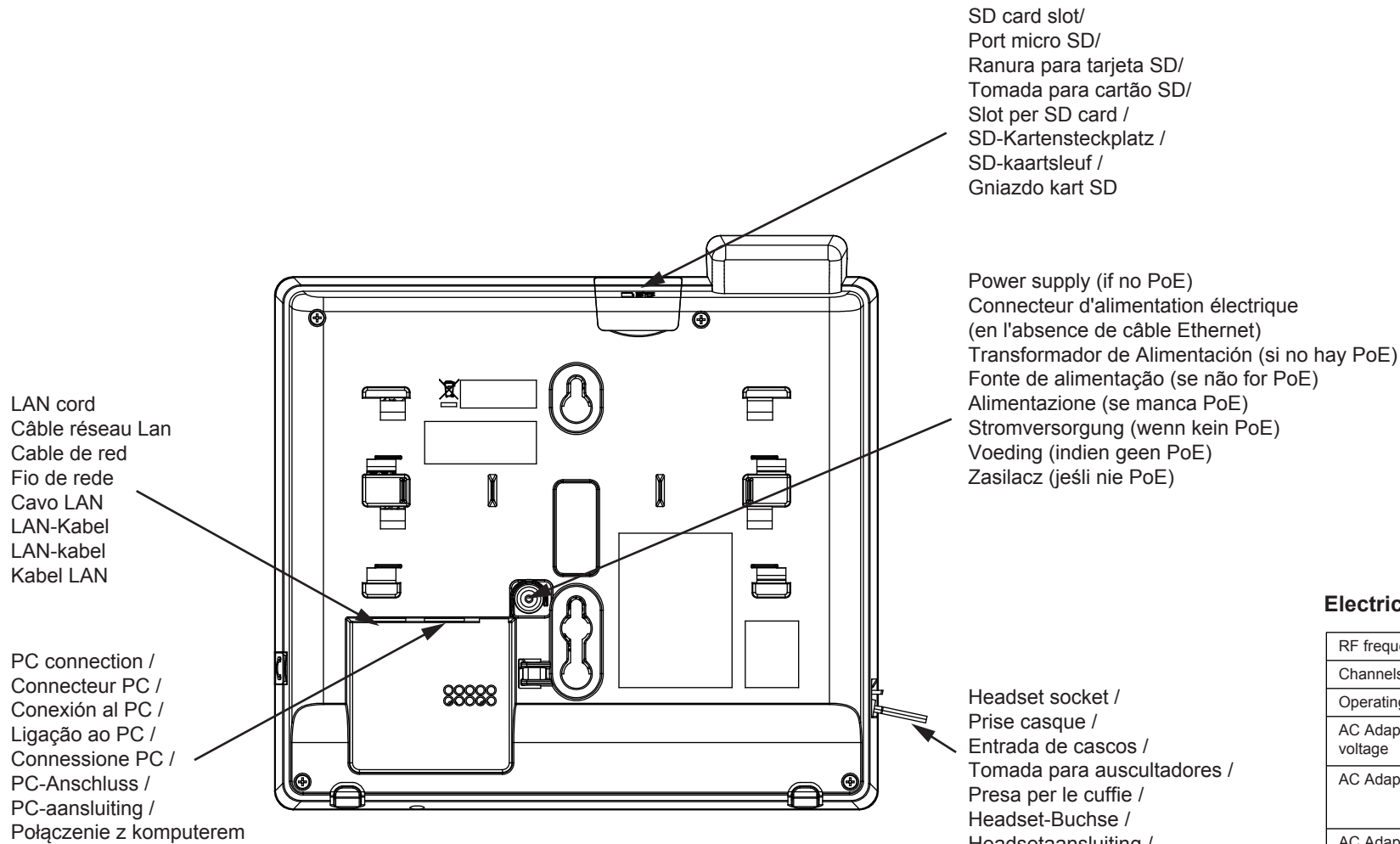


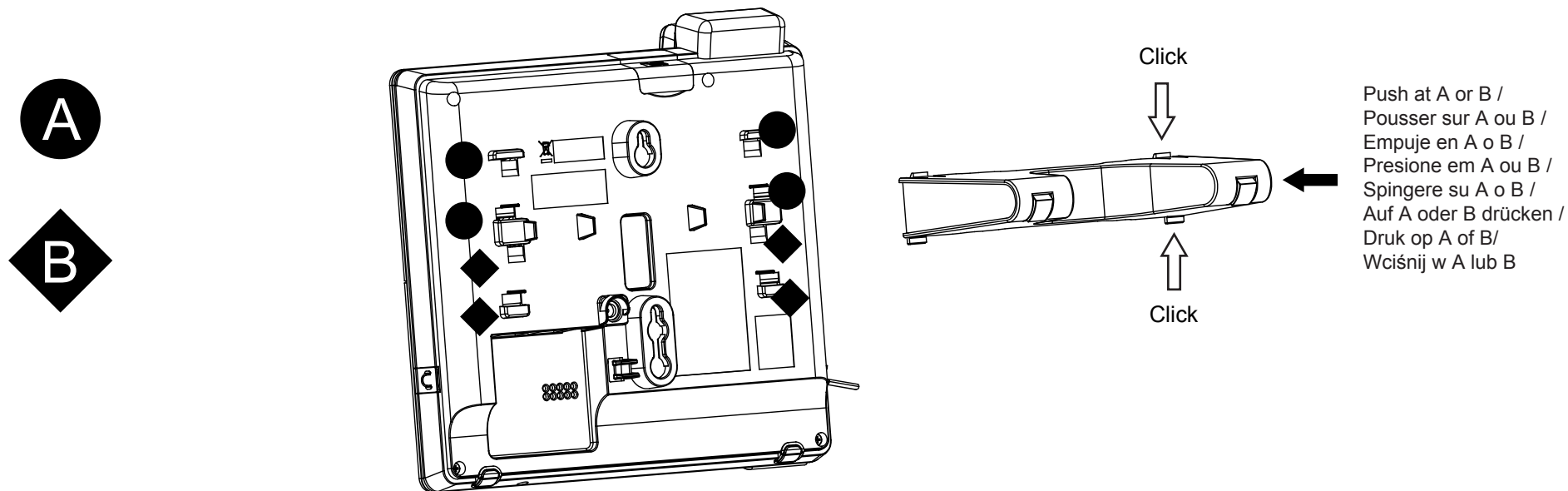
Phone connections / Branchements du téléphone / Conexiones / Ligações do telefone / Collegamenti del telefono /
Anschlüsse / Telefoonaansluitingen / Połączenia telefoniczne



Electrical and environmental Specifications

RF frequency band	1881.792-1897.344MHz
Channels	10
Operating Temperature	0-50°C (32-122°F)
AC Adapter output voltage	5Vdc @ 1500mA
AC Adapter (EU plug)	EU adaptor: S008ACV0500150; by Ten Pao International Ltd.
AC Adapter (UK plug)	UK adaptor: S008ACB0500150 by Ten Pao International Ltd.
Ethernet network jacks	10/100/1000 Mbps RJ-45 jacks
SD card slot	Micro SD card slot

Foot stand adjustment / Assemblage du socle et réglage de l'inclinaison du téléphone / Instalación de sobremesa / Ajuste do suporte / Regolazione della base d'appoggio/ Einstellung des Fußständers / Aanpassing van de voetsteun / Regulacja podstawki



Wall mount installation / Installation murale / Instalación mural / Instalação de parede / Installazione a parete / Wandhalterung Installation / Wandmontage / Możliwość montażu na ścianie

